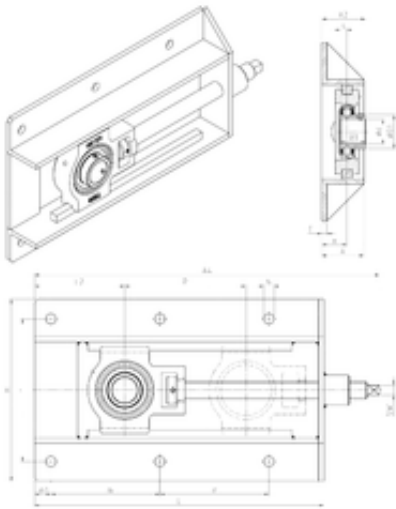




AMERICAN NTN BEARING LTD

SNR UST205+WB bearing units

Bearing No. UST205+WB



UST205+WB Bearing 2D drawings and 3D CAD models

Bore Diameter	25 mm
d	25 mm
A4	368 mm
P	150 mm
e	29 mm
L2	83 mm
s	7,5 mm
SW	11 mm
A	50 mm
B1	27 mm
D1	34 mm
H	199 mm
J	154 mm
L	317 mm
M	117 mm
M1	19 mm
N	12 mm
T	6 mm
A2	48,5 mm
Weight	5,2 Kg
Basic dynamic load rating (C)	14 kN
A1	12 mm
B	27 mm
A5	19.5 mm
G	M6x1
H1	76 mm



AMERICAN NTN BEARING LTD

H2	51 mm
L1	62 mm
L3	51 mm
N1	16 mm
N2	32 mm
s1	13.5 mm
S	7.5 mm
C	14 kN
C0	7.88 kN
T min.	-20 ° C
T max.	100 ° C
Recommended tightening torque for set screw	5.5 Nm
Designation of housing	T205-
Designation of bearing	US205G2