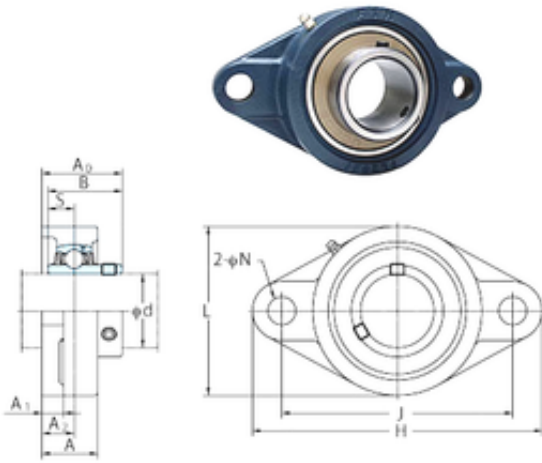




# AMERICAN NTN BEARING LTD

## FYH UCFLX08 bearing units

Bearing No. UCFLX08



UCFLX08 Bearing 2D drawings and 3D CAD models

Bore Diameter	40 mm
d	40 mm
A0	52,2 mm
A	40 mm
A1	14 mm
B	49,2 mm
H	179 mm
J	148 mm
L	111 mm
N	16 mm
S	19 mm
Bolt (G)	14
Bolt (G)	M14
A2	22 mm
Weight	2,1 Kg
Basic static load rating (C0)	34,1 kN