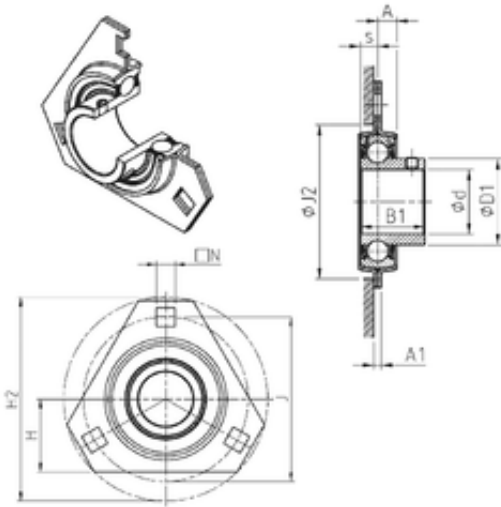




# AMERICAN NTN BEARING LTD

## SNR USPFT206 bearing units

Bearing No. USPFT206



USPFT206 Bearing 2D drawings and 3D CAD models

Bore Diameter	30 mm
d	30 mm
s	8 mm
A	10,5 mm
A1	5 mm
B1	30 mm
D1	40,3 mm
H	40,2 mm
H2	112,7 mm
J	90,5 mm
N	10,5 mm
J2	71 mm
Weight	0,6 Kg
Basic dynamic load rating (C)	19,5 kN