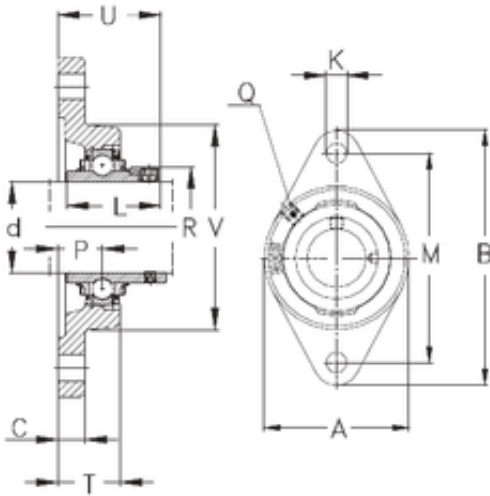




AMERICAN NTN BEARING LTD

NKE RCJTY20-N bearing units

Bearing No. RCJTY20-N



RCJTY20-N Bearing 2D drawings and 3D CAD models

Bore Diameter	20 mm
d	20 mm
P	19 mm
V	61 mm
U	37,3 mm
K	11,5 mm
A	61 mm
B	112 mm
C	10 mm
L	31 mm
M	90 mm
T	28 mm
Thread (G)	R1/8 "