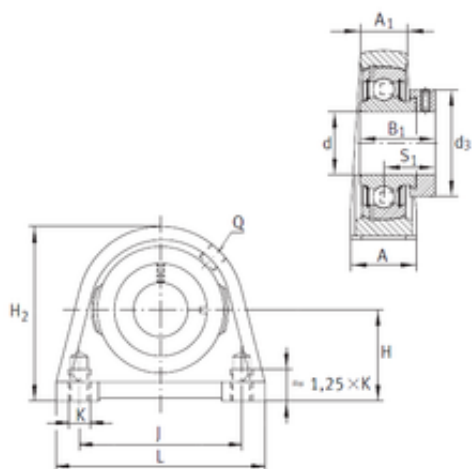




AMERICAN NTN BEARING LTD

INA PSHE40-N bearing units

Bearing No. PSHE40-N



PSHE40-N Bearing 2D drawings and 3D CAD models

Bore Diameter	40 mm
d	40 mm
Thread (Q)	Rp1/8
Thread (K)	M12
d3	58 mm
A	48 mm
A1	30 mm
B1	43,8 mm
H	49,2 mm
H2	99 mm
J	88,9 mm
L	116 mm
S	32,7 mm
Weight	1,84 Kg
Basic dynamic load rating (C)	32,5 kN
Category	Pillow Block Bearings
Inventory	0.0
Manufacturer Name	SCHAEFFLER GROUP
Minimum Buy Quantity	N/A
Weight / Kilogram	1.817
EAN	4012802836257
Product Group	M06110
Number of Mounting Holes	2
Mounting Method	Eccentric Collar
Housing Style	2 Bolt Tap Base Pillow Block
Rolling Element	Ball Bearing



AMERICAN NTN BEARING LTD

Housing Material	Cast Iron
Expansion / Non-expansion	Non-expansion
Mounting Bolts	12 Millimeter
Relubricatable	Yes
Insert Part Number	GRAE40NPPB
Seals	Double Lip Contact
Housing Configuration	1 Piece Solid
Inch - Metric	Metric
Other Features	Single Row With Set Screw
Long Description	2 Bolt Tap Base Pillow Block; 40MM Bore; 49.2MM Base to Center Height; Eccentric Collar Mount; Ball Bearing; Relubricatable; Cast Iron; Double Lip Contact; Non-expansion
Category	Pillow Block
UNSPSC	31171511
Harmonized Tariff Code	8483.20.40.40
Noun	Bearing
Keyword String	Pillow Block
Manufacturer URL	http://www.ina.com
Manufacturer Item Number	PSHE40N
Weight / LBS	4.057
Bore	1.575 Inch 40 Millimeter
Base to Center Height	1.937 Inch 49.2 Millimeter
Nominal Bolt Center to Center	3.5 Inch 90 Millimeter
Actual Bolt Center to Center	3.5 Inch 90Millimeter
Length Thru Bore	1.72 Inch 43.7 Millimeter
Bolt Spacing Minimum	0 Inch 0Millimeter
Bolt Spacing Maximum	0 Inch 0Millimeter