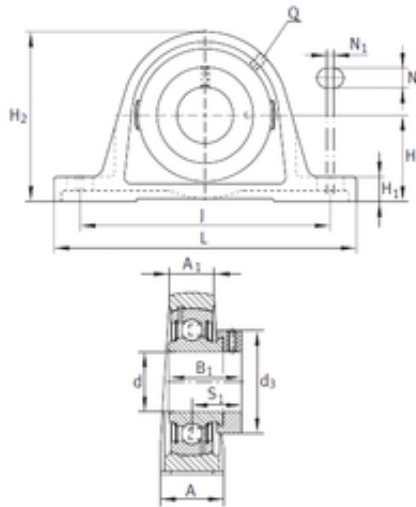




AMERICAN NTN BEARING LTD



INA PAK1 bearing units

Bearing No. PAK1

Bore Diameter	25,4 mm
d	25,4 mm
S1	23,495 mm
Thread (Q)	1/8 NPT
d3	37,491 mm
A	37,008 mm
A1	21,997 mm
B	30,988 mm
H	33,351 mm
H1	14,301 mm
H2	68,276 mm
J	103,759 mm
L	139,7 mm
N	11,989 mm
N1	9,246 mm
Category	Pillow Block Bearings
Inventory	0.0
Manufacturer Name	SCHAEFFLER GROUP
Minimum Buy Quantity	N/A
Weight / Kilogram	0.73
Product Group	M06110
Number of Mounting Holes	2
Mounting Method	Eccentric Collar
Housing Style	2 Bolt Pillow Block
Rolling Element	Ball Bearing
Housing Material	Cast Iron

PAK1 Bearing 2D drawings and 3D CAD models



AMERICAN NTN BEARING LTD

Expansion / Non-expansion	Non-expansion
Relubricatable	Yes
Insert Part Number	GRA100NPPB
Seals	Double Lip Contact
Housing Configuration	1 Piece Solid
Inch - Metric	Inch
Other Features	Single Row Radial Low Base With Set Screw
Long Description	2 Bolt Pillow Block; 1" Bore; 1-5/16" Base to Center Height; Eccentric Collar Mount; Ball Bearing; 3.721" Minimum Bolt Spacing; 4.449" Bolt Spacing Maximum; Relubricatable; Cast Ir
Category	Pillow Block
UNSPSC	31171511
Harmonized Tariff Code	8483.20.40.40
Noun	Bearing
Keyword String	Pillow Block
Manufacturer URL	http://www.ina.com
Manufacturer Item Number	PAK1HLC
Weight / LBS	1.614
Length Thru Bore	1.221 Inch 31.013 Millimeter
Bore	1 Inch 25.4 Millimeter
Nominal Bolt Center to Center	4.1 Inch 104.1 Millimeter
Base to Center Height	1.313 Inch 33.35 Millimeter
Bolt Spacing Minimum	3.721 Inch 94.513 Millimeter
Bolt Spacing Maximum	4.449 Inch 113.005 Millimeter