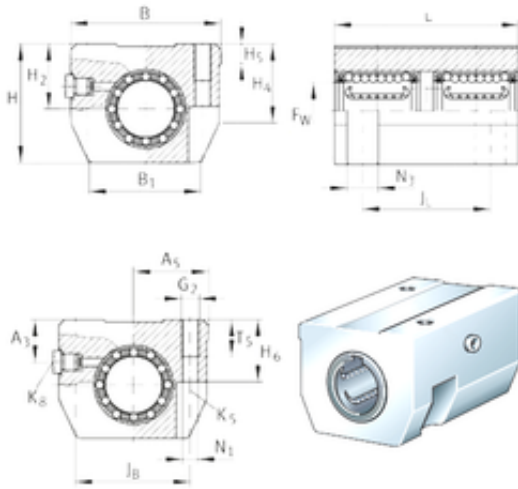




# AMERICAN NTN BEARING LTD



## INA KTHK50-B-PP-AS bearing units

Bearing No. KTHK50-B-PP-AS

Bore Diameter	50 mm
Fw	50 mm
H4	62,3 mm
H5	10,9 mm
H6	46 mm
A5	51,5 mm
Thread (K)	M10
B	103 mm
B1	74 mm
H	92 mm
H2	47 mm
L	145 mm
N1	10,5 mm
T	26 mm
A3	28 mm
N2	20 mm
Thread (G2)	M12
JB	82 mm
JL	100 mm
Weight	2,7 Kg
Basic dynamic load rating (C)	11 kN

KTHK50-B-PP-AS Bearing 2D drawings and 3D CAD models