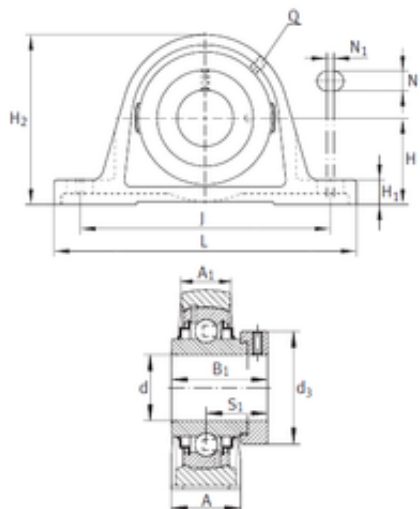




AMERICAN NTN BEARING LTD



INA RASE5/8 bearing units

Bearing No. RASE5/8

Bore Diameter	15,875 mm
d	15,875 mm
S1	23,495 mm
Thread (Q) - 1/4-28 UNF	1/428 UNF
d3	27,991 mm
A	32,004 mm
A1	19 mm
B	37,389 mm
H	30,201 mm
H1	13,996 mm
H2	58 mm
J	91,999 mm
L	125 mm
N	10,999 mm
N1	10,999 mm
Category	Pillow Block Bearings
Inventory	0.0
Manufacturer Name	SCHAEFFLER GROUP
Minimum Buy Quantity	N/A
Weight / Kilogram	0.55
Product Group	M06110
Number of Mounting Holes	2
Mounting Method	Eccentric Collar
Housing Style	2 Bolt Pillow Block
Rolling Element	Ball Bearing
Housing Material	Cast Iron

RASE5/8 Bearing 2D drawings and 3D CAD models



AMERICAN NTN BEARING LTD

Expansion / Non-expansion	Non-expansion
Relubricatable	Yes
Insert Part Number	G1010KRRB
Seals	Double Land Riding Rubber Contact
Housing Configuration	1 Piece Solid
Inch - Metric	Inch
Other Features	Single Row Standard Shaft Height With Set Screw
Long Description	2 Bolt Pillow Block; 5/8" Bore; 1-3/16" Base to Center Height; Eccentric Collar Mount; Ball Bearing; 3-3/16" Minimum Bolt Spacing; 4.055" Bolt Spacing Maximum; Relubricatable; Cast
Category	Pillow Block
UNSPSC	31171511
Harmonized Tariff Code	8483.20.40.40
Noun	Bearing
Keyword String	Pillow Block
Manufacturer URL	http://www.ina.com
Manufacturer Item Number	RASE5/8
Weight / LBS	1.213
Actual Bolt Center to Center	0 Inch 0Millimeter
Nominal Bolt Center to Center	3.6 Inch 92 Millimeter
Base to Center Height	1.188 Inch 30.175 Millimeter
Bolt Spacing Minimum	3.189 Inch 81Millimeter
Length Thru Bore	1.469 Inch 37.3 Millimeter
Bolt Spacing Maximum	4.055 Inch 103Millimeter
Bore	0.625 Inch 15.875 Millimeter



AMERICAN NTN BEARING LTD