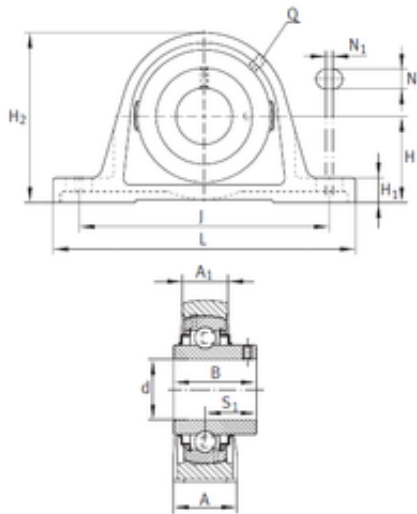




AMERICAN NTN BEARING LTD



INA RASEY1-3/4 bearing units

Bearing No. RASEY1-3/4

Bore Diameter	44,45 mm
d	44,45 mm
S1	30,201 mm
Thread (Q)	1/8 NPT
A	51,791 mm
A1	35,002 mm
B	49,2 mm
H	54,001 mm
H1	21,997 mm
H2	107,011 mm
J	148,489 mm
L	195 mm
N	14,301 mm
N1	11,989 mm
Category	Pillow Block Bearings
Inventory	0.0
Manufacturer Name	SCHAEFFLER GROUP
Minimum Buy Quantity	N/A
Weight / Kilogram	2.4
Product Group	M06110
Number of Mounting Holes	2
Mounting Method	Set Screw
Housing Style	2 Bolt Pillow Block
Rolling Element	Ball Bearing
Housing Material	Cast Iron
Expansion / Non-expansion	Non-expansion

RASEY1-3/4 Bearing 2D drawings and 3D CAD models



AMERICAN NTN BEARING LTD

Relubricatable	Yes
Insert Part Number	GY1112KRRB
Seals	Double Land Riding Rubber Contact
Housing Configuration	1 Piece Solid
Inch - Metric	Inch
Other Features	Single Row Standard Shaft Height
Long Description	2 Bolt Pillow Block; 1-3/4" Bore; 2-1/8" Base to Center Height; Set Screw Mount; Ball Bearing; 5-3/8" Minimum Bolt Spacing; 6.319" Bolt Spacing Maximum; Relubricatable; Cast Iron;
Category	Pillow Block
UNSPSC	31171511
Harmonized Tariff Code	8483.20.40.40
Noun	Bearing
Keyword String	Pillow Block
Manufacturer URL	http://www.ina.com
Manufacturer Item Number	RASEY1-3/4
Weight / LBS	5.29
Length Thru Bore	1.937 Inch 49.2 Millimeter
Nominal Bolt Center to Center	5.8 Inch 146.5 Millimeter
Actual Bolt Center to Center	0 Inch 0 Millimeter
Base to Center Height	2.125 Inch 53.98 Millimeter
Bolt Spacing Maximum	6.319 Inch 160.5 Millimeter
Bolt Spacing Minimum	5.374 Inch 136.5 Millimeter
Bore	1.75 Inch 44.45 Millimeter