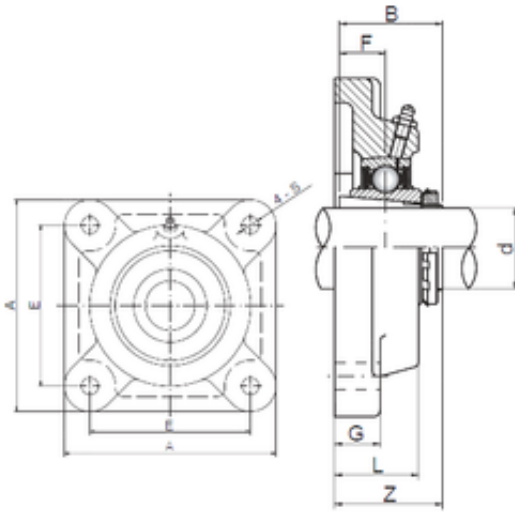




AMERICAN NTN BEARING LTD

ISO UKF210 bearing units

Bearing No. UKF210



UKF210 Bearing 2D drawings and 3D CAD models

| | |
|---------------|--------|
| Bore Diameter | 45 mm |
| Width | 55 mm |
| d | 45 mm |
| Z | 50 mm |
| A | 143 mm |
| B | 55 mm |
| E | 111 mm |
| F | 22 mm |
| G | 18 mm |
| L | 40 mm |
| S | 16 mm |
| Bolt (G) | M14 |