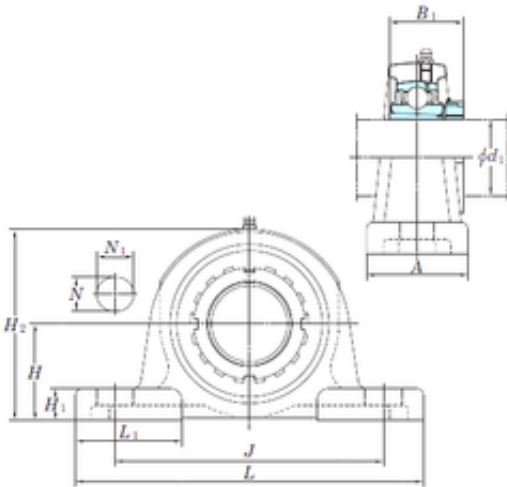




AMERICAN NTN BEARING LTD

KOYO UKPX09 bearing units

Bearing No. UKPX09



UKPX09 Bearing 2D drawings and 3D CAD models

Bore Diameter	41,275 mm
Width	58,7 mm
d	41,275 mm
A	67 mm
B1	50 mm
H	58,7 mm
H1	21 mm
H2	116 mm
J	156 mm
L	222 mm
L1	71 mm
N	20 mm
N1	33 mm
Bolt (G)	M16
Weight	3,7 Kg
Basic dynamic load rating (C)	35,1 kN
Basic static load rating (C0)	23,3 kN