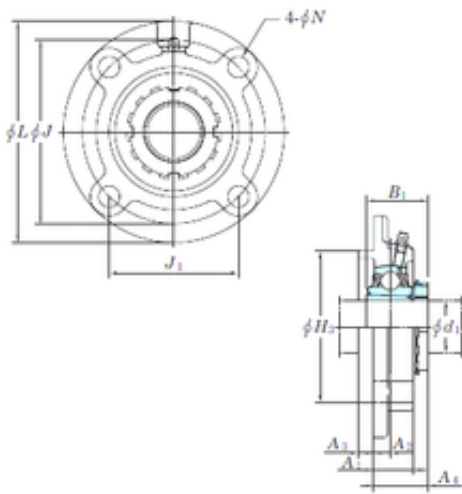




AMERICAN NTN BEARING LTD



KOYO UKFC215 bearing units

Bearing No. UKFC215

Bore Diameter	65 mm
d	65 mm
H3	160 mm
A4	53 mm
A1	40 mm
B1	55 mm
J	184 mm
L	220 mm
N	19 mm
Bolt (G)	M16
A2	18 mm
A3	16 mm
J1	130,1 mm
Weight	7,4 Kg
Basic dynamic load rating (C)	67,4 kN
Basic static load rating (C0)	48,3 kN

UKFC215 Bearing 2D drawings and 3D CAD models