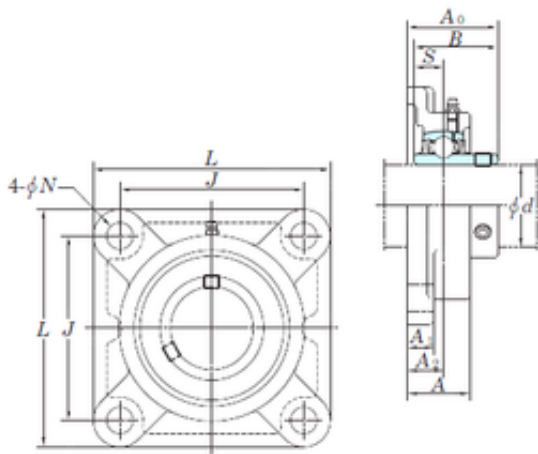




AMERICAN NTN BEARING LTD

KOYO UCF321 bearing units



Bearing No. UCF321

Bore Diameter	105 mm
d	105 mm
A0	127 mm
A	94 mm
A1	32 mm
B	112 mm
J	242 mm
L	310 mm
N	38 mm
S	44 mm
Bolt (G)	M33
A2	59 mm
Weight	30,2 Kg
Basic dynamic load rating (C)	184 kN
Basic static load rating (C0)	153 kN
Bearing No.	UCF321
Bolt size	M33
Cr	184
C0r	153
f0	13.2
(Refer.)Unit mass(kg)	30.2
Nipple size	R1/8

UCF321 Bearing 2D drawings and 3D CAD models