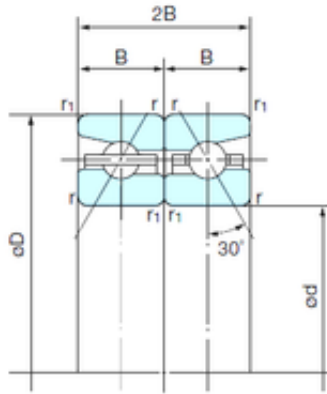




AMERICAN NTN BEARING LTD

70 mm x 110 mm x 18 mm NACHI 70TAH10DB angular contact ball bearings



Bearing No. 70TAH10DB

Size	70x110x18 mm
Bore Diameter	70 mm
Outer Diameter	110 mm
Width	18 mm
d	70 mm
D	110 mm
B	18 mm
Angle (°)	30 °
r min.	1.1 mm
r1 min.	0.6 mm
2B	36 mm
Basic dynamic load rating (C)	35 kN
Basic static load rating (C0)	80 kN
(Grease) Lubrication Speed	6700 r/min

70TAH10DB Bearing 2D drawings and 3D CAD models