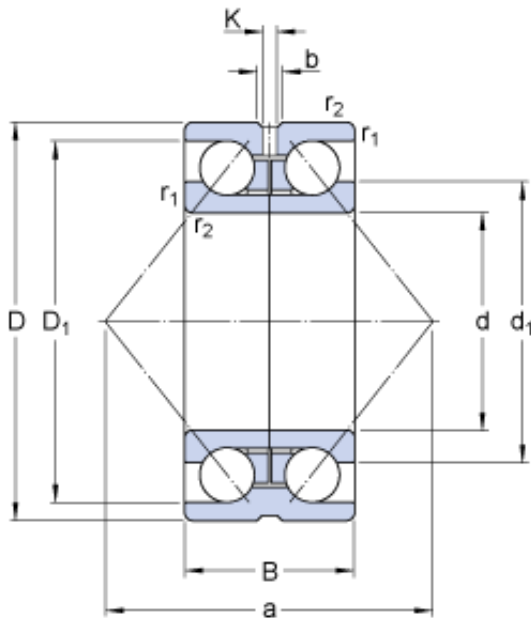




AMERICAN NTN BEARING LTD

150 mm x 230 mm x 70 mm SKF 305283 D
angular contact ball bearings

Bearing No. 305283 D



305283 D Bearing 2D drawings and 3D CAD models

Size	230x150x70 mm
Bore Diameter	230 mm
Outer Diameter	150 mm
Width	70 mm
d	150 mm
D	230 mm
B	70 mm
d ₁	181 mm
D ₁	208.1 mm
b	7.8 mm
K	3 mm
r _{1,2} - min.	2 mm
a	138 mm
d _a - min.	155 mm
D _a - max.	206 mm
r _a - max.	2 mm
Basic dynamic load rating - C	203 kN
Basic static load rating - C ₀	285 kN
Fatigue load limit - P _u	9 kN
Reference speed	2400 r/min
Limiting speed	3000 r/min
Calculation factor - k _r	0.095
Calculation factor - e	1.14
Calculation factor - X	0.57



AMERICAN NTN BEARING LTD

Calculation factor - Y_0	0.52
Calculation factor - Y_1	0.55
Calculation factor - Y_2	0.93
Category	Angular Contact Ball Bearings
Inventory	0.0
Manufacturer Name	SKF
Minimum Buy Quantity	N/A
Weight / Kilogram	10.776
EAN	7316570326932
Product Group	B00152
Enclosure	Open
Flush Ground	No
Rolling Element	Ball Bearing
Number of Rows of Balls	Double Row
Precision Class	ABEC 1 ISO P0
Maximum Capacity / Filling Slot	No
Snap Ring	No
Cage Material	Steel
Internal Clearance	C0-Medium
Number of Bearings	1 (Single)
Inch - Metric	Metric
Long Description	150MM Bore; 230MM Outside Diameter; 70MM Width; Open; No Flush Ground; Ball Bearing; Double Row of Balls; ABEC 1 ISO P0; No Filling Slot; No Snap Ring; C0-Medium; Steel Cage; 1 (Single)
Other Features	Two Piece Bearing
Category	Angular Contact Ball Bearing



AMERICAN NTN BEARING LTD

UNSPSC	31171531
Harmonized Tariff Code	8482.10.50.28
Noun	Bearing
Keyword String	Angular Contact
Manufacturer URL	http://www.skf.com
Manufacturer Item Number	305283 D
Weight / LBS	23.36897
Width	2.756 Inch 70 Millimeter
Outside Diameter	9.055 Inch 230 Millimeter
Bore	5.906 Inch 150 Millimeter
d_1	181 mm
D_1	208.1 mm
$r_{1,2}$ min.	2 mm
d_a min.	155 mm
D_a max.	206 mm
r_a max.	2 mm
Basic dynamic load rating C	203 kN
Basic static load rating C_0	285 kN
Fatigue load limit P_u	9 kN
Calculation factor k_r	0.095
Calculation factor e	1.14
Calculation factor X	0.57
Calculation factor Y_0	0.52
Calculation factor Y_1	0.55
Calculation factor Y_2	0.93
Mass bearing	10.6 kg