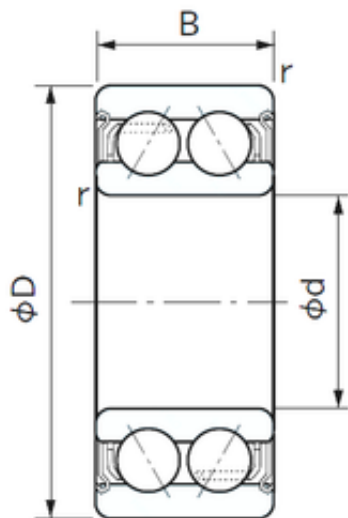




AMERICAN NTN BEARING LTD



35 mm x 72 mm x 27 mm NACHI 5207ZZ
angular contact ball bearings

Bearing No. 5207ZZ

5207ZZ Bearing 2D drawings and 3D CAD models

Size	35x72x27 mm
Bore Diameter	35 mm
Outer Diameter	72 mm
Width	27 mm
d	35 mm
D	72 mm
B	27 mm
C	27 mm
r min.	1.1 mm
Weight	0.430 Kg
Basic dynamic load rating (C)	35 kN
Basic static load rating (C0)	25,9 kN
Category	Angular Contact Ball Bearings
Inventory	10.0
Manufacturer Name	NACHI
Minimum Buy Quantity	N/A
Weight / Kilogram	0.431
EAN	4991893601046
Product Group	B00152
Enclosure	2 Metal Shields
Flush Ground	No
Rolling Element	Ball Bearing
Number of Rows of Balls	Double Row
Precision Class	ABEC 1 ISO P0



AMERICAN NTN BEARING LTD

Maximum Capacity / Filling Slot	No
Snap Ring	No
Cage Material	Steel
Contact Angle	20 Degree
Internal Clearance	C0-Medium
Number of Bearings	1 (Single)
Inch - Metric	Metric
Long Description	35MM Bore; 72MM Outside Diameter; 27MM Width; 2 Metal Shields; No Flush Ground; Ball Bearing; Double Row of Balls; ABEC 1 ISO P0; No Filling Slot; No Snap Ring
Category	Angular Contact Ball Bearing
UNSPSC	31171531
Harmonized Tariff Code	8482.10.50.28
Noun	Bearing
Keyword String	Angular Contact
Manufacturer URL	http://www.nachi.com
Manufacturer Item Number	5207 ZZ BV2S
Weight / LBS	0.95
Width	1.063 Inch 27 Millimeter
Bore	1.378 Inch 35 Millimeter
Outside Diameter	2.835 Inch 72 Millimeter
Configuration	Double Row
Bore Type	Cylindrical Bore
Bore Size	35 mm
Fillet Radius/Chamfer	1.1 mm
Dynamic Load Rating	35,000 N
Static Load Rating	25,900 N
Limiting Speed - Oil	7,000 rpm
Radial Clearance	0.006 to 0.020 mm



AMERICAN NTN BEARING LTD

da	42 mm
Da	65 mm
ra	1 mm