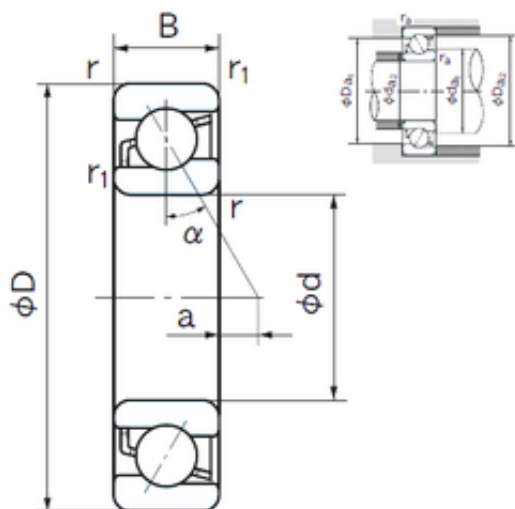




AMERICAN NTN BEARING LTD



45 mm x 100 mm x 25 mm NACHI 7309B
angular contact ball bearings

Bearing No. 7309B

7309B Bearing 2D drawings and 3D CAD models

Size	45x100x25 mm
Bore Diameter	45 mm
Outer Diameter	100 mm
Width	25 mm
d	45 mm
D	100 mm
B	25 mm
C	25 mm
Angle (°)	40 °
a	18.0 mm
r min.	1.5 mm
r1 min.	1 mm
da min.	54 mm
Da max.	91 mm
ra max.	1.5 mm
Weight	0.875 Kg
Basic dynamic load rating (C)	60 kN
Basic static load rating (C0)	41,5 kN
(Grease) Lubrication Speed	5600 r/min
Category	Angular Contact Ball Bearings
Inventory	0.0
Manufacturer Name	NACHI
Minimum Buy Quantity	N/A
Weight / Kilogram	0.876



AMERICAN NTN BEARING LTD

EAN	4991893849141
Product Group	B00308
Enclosure	Open
Flush Ground	No
Rolling Element	Ball Bearing
Number of Rows of Balls	Single Row
Precision Class	ABEC 1 ISO P0
Maximum Capacity / Filling Slot	No
Snap Ring	No
Cage Material	Steel
Contact Angle	40 Degree
Internal Clearance	C0-Medium
Number of Bearings	1 (Single)
Inch - Metric	Metric
Long Description	45MM Bore; 100MM Outside Diameter; 25MM Width; Open; No Flush Ground; Ball Bearing; Single Row of Balls; ABEC 1 ISO P0; No Filling Slot; No Snap Ring
Category	Angular Contact Ball Bearing
UNSPSC	31171531
Harmonized Tariff Code	8482.10.50.28
Noun	Bearing
Keyword String	Angular Contact
Manufacturer URL	http://www.nachi.com
Manufacturer Item Number	7309 B BNLS
Weight / LBS	1.93
Outside Diameter	3.937 Inch 100 Millimeter
Width	0.984 Inch 25 Millimeter
Bore	1.772 Inch 45 Millimeter
Configuration	Single Row



AMERICAN NTN BEARING LTD

Bore Type	Cylindrical Bore
Bore Size	45 mm
Fillet Radius/Chamfer	1.5 mm
r1	1 mm
Dynamic Load Rating	60,000 N
Static Load Rating	41,500 N
Limiting Speed - Grease	5,600 rpm
Limiting Speed - Oil	7,500 rpm
da1 (min)	54 mm
da2 (min)	50 mm
Da1 (max)	91 mm
Da2 (max)	94.6 mm
ra (max)	1.5 mm
ra1 (max)	1 mm