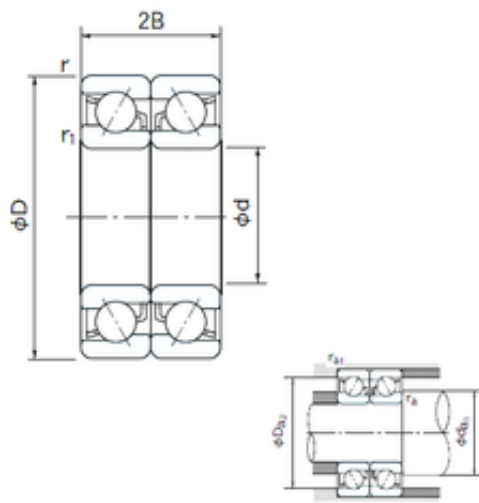




AMERICAN NTN BEARING LTD



65 mm x 140 mm x 33 mm NACHI 7313BDB
angular contact ball bearings

Bearing No. 7313BDB

7313BDB Bearing 2D drawings and 3D CAD models

| | |
|-------------------------------|------------------|
| Size | 65x140x33 mm |
| Bore Diameter | 65 mm |
| Outer Diameter | 140 mm |
| Width | 33 mm |
| d | 65 mm |
| D | 140 mm |
| B | 33 mm |
| C | 33 mm |
| Angle (°) | 40 ° |
| a | 26.6 mm |
| r min. | 2.1 mm |
| r1 min. | 1.1 mm |
| 2B | 66 mm |
| da min. | 72 mm |
| Da max. | 133 mm |
| ra max. | 1 mm |
| Weight | 2.22 Kg |
| Basic dynamic load rating (C) | 170 kN |
| Basic static load rating (C0) | 155 kN |
| (Grease) Lubrication Speed | 3200 r/min |
| Bore Type | Cylindrical Bore |
| Enclosure | Open |
| Configuration | Duplex |
| Bore Size | 65 mm |
| Outside Diameter | 140 mm |



AMERICAN NTN BEARING LTD

| | |
|-------------------------|-----------|
| Width | 33 mm |
| Fillet Radius/Chamfer | 2.1 mm |
| r1 | 1.1 mm |
| Dynamic Load Rating | 170,000 N |
| Static Load Rating | 155,000 N |
| Limiting Speed - Grease | 3,200 rpm |
| Limiting Speed - Oil | 4,200 rpm |
| da1 (min) | 77 mm |
| da2 (min) | 72 mm |
| Da1 (max) | 128 mm |
| Da2 (max) | 133 mm |
| ra (max) | 2 mm |
| ra1 (max) | 1 mm |