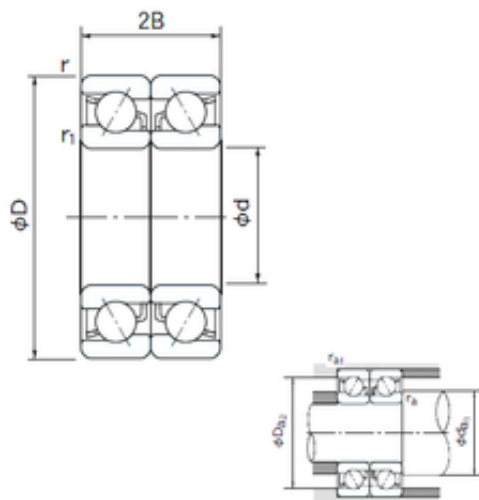




AMERICAN NTN BEARING LTD



80 mm x 140 mm x 26 mm NACHI 7216BDB
angular contact ball bearings

Bearing No. 7216BDB

7216BDB Bearing 2D drawings and 3D CAD models

| | |
|-------------------------------|------------------|
| Size | 80x140x26 mm |
| Bore Diameter | 80 mm |
| Outer Diameter | 140 mm |
| Width | 26 mm |
| d | 80 mm |
| D | 140 mm |
| B | 26 mm |
| C | 26 mm |
| Angle (°) | 40 ° |
| a | 33.2 mm |
| r min. | 2 mm |
| r1 min. | 1 mm |
| 2B | 52 mm |
| da min. | 86 mm |
| Da max. | 134 mm |
| ra max. | 1 mm |
| Weight | 1.50 Kg |
| Basic dynamic load rating (C) | 135 kN |
| Basic static load rating (C0) | 143 kN |
| (Grease) Lubrication Speed | 2800 r/min |
| Bore Type | Cylindrical Bore |
| Enclosure | Open |
| Configuration | Duplex |
| Bore Size | 80 mm |
| Outside Diameter | 140 mm |



AMERICAN NTN BEARING LTD

| | |
|-------------------------|-----------|
| Width | 26 mm |
| Fillet Radius/Chamfer | 2 mm |
| r1 | 1 mm |
| Dynamic Load Rating | 135,000 N |
| Static Load Rating | 143,000 N |
| Limiting Speed - Grease | 2,800 rpm |
| Limiting Speed - Oil | 4,000 rpm |
| da1 (min) | 90 mm |
| da2 (min) | 86 mm |
| Da1 (max) | 130 mm |
| Da2 (max) | 134 mm |
| ra (max) | 2 mm |
| ra1 (max) | 1 mm |