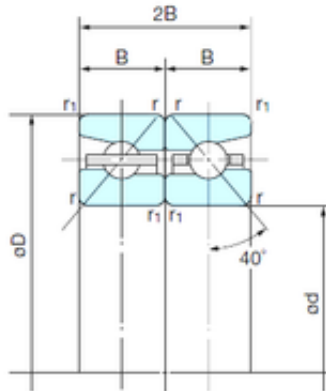




AMERICAN NTN BEARING LTD

160 mm x 240 mm x 36 mm NACHI
160TBH10DB angular contact ball bearings



Bearing No. 160TBH10DB

Size	160x240x36 mm
Bore Diameter	160 mm
Outer Diameter	240 mm
Width	36 mm
d	160 mm
D	240 mm
B	36 mm
Angle (°)	40 °
r min.	2.1 mm
r1 min.	1.1 mm
2B	72 mm
Basic dynamic load rating (C)	155 kN
Basic static load rating (C0)	490 kN
(Grease) Lubrication Speed	2500 r/min

160TBH10DB Bearing 2D drawings and 3D CAD models