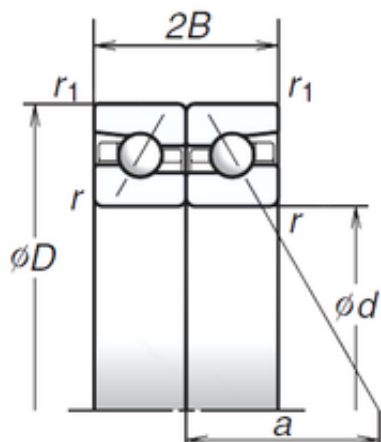




AMERICAN NTN BEARING LTD

75 mm x 115 mm x 18 mm NSK 75BAR10H
angular contact ball bearings



Bearing No. 75BAR10H

Size	75x115x18 mm
Bore Diameter	75 mm
Outer Diameter	115 mm
Width	18 mm
d	75 mm
D	115 mm
B	18 mm
C	18 mm
Angle ()	30 °
a	36,1 mm
r min.	1,1 mm
r1 min.	0,6 mm
2B	36 mm
Weight	0,592 Kg
Basic dynamic load rating (C)	27,3 kN
Basic static load rating (C0)	58 kN
(Grease) Lubrication Speed	9 000 r/min
(Oil) Lubrication Speed	11 100 r/min

75BAR10H Bearing 2D drawings and 3D CAD models